

HZY12-150 Valve Regulated Lead Acid battery.  
 12 year design life for stand by power applications.  
 12 Volts 150 Ah (C20)

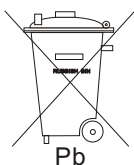
### Innovative Features

- Completely maintenance free, sealed construction eliminates the need for watering
- Fully tank formed plates
- Analytical Grade electrolyte
- Spill proof / leak proof
- Valve regulated Max internal pressure 2.5 psi
- Multi-position usage
- ABS Case and cover - V0 on request
- Low self discharge
- FAA and IATA approved as non-hazardous
- Built to comply with IEC 896-2, DIN 43534, BS 6290 Pt4, Eurobat.



### Specifications

Nominal Voltage	12 Volts
Nominal Capacity	150Ah (C20 @ 20 °C)
Design Life	12 Years
Operating Temperature	-20 °C to 50 °C
Grid alloy	Calcium / Tin lead alloy
Plates	Flat Pasted
Separator	Microporous polymer
Active material	Very high purity lead
Case and cover	ABS (VO on request)
Charge Voltage	Float 2.25 - 2.30 VPC @25 °C Cycling 2.35 @25 °C Max. 2.4 VPC Max ripple 0.05C (A)
Electrolyte	Gelled Sulphuric acid Analytical grade purity
Venting Valve	EPDM Rubber 1.5 to 2 psi (10.5 - 14 KPa) release pressure. Resealing at 1 psi (7 KPa)
Terminal	Epoxy sealed by extended mechanical paths



Haze Battery Company keenly encourages environmental awareness; PLEASE follow guidelines for the recycling /disposal of lead.

Website: [www.hazebattery.com](http://www.hazebattery.com)  
 E mail : [sales@hazebattery.com](mailto:sales@hazebattery.com)

**Sealed Lead Acid 12 Volt Bloc GEL Range**  
**PRODUCT SHEET HZY12-150**

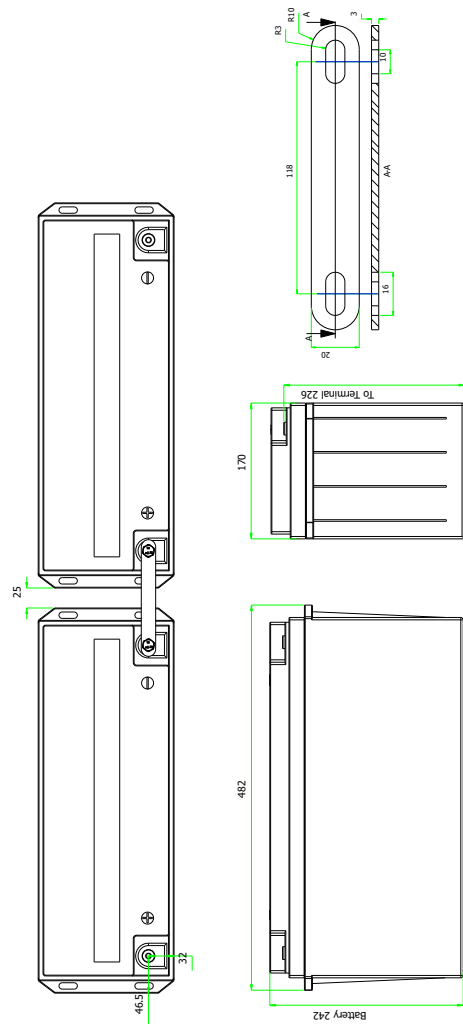
**12V**  
**Gel**

## Specifications

Nominal Voltage		12V	
Nominal Capacity		150 Ah	
Dimensions	Total Height (Inc. terminals)	242 mm	9.53 inches
	Length	482 mm	18.98 inches
	Width	170 mm	6.69 inches
	Weight	44.25 Kg	97.79 lbs

## Characteristics

Capacity 20 °C (68 °F) To 1.7 volts	20 hour rate	141.5 Ah
	10 hour rate	125.7 Ah
	5 hour rate	112.2 Ah
	1 hour rate	93.8 Ah
	15 min rate	55.9 Ah
	Internal Resistance	2 mOhms
	Impedance	S
Capacity correction for Temperature Variations (C <sub>20</sub> )	40 °C (104 °F)	102%
	20 °C (68 °F)	100%
	0 °C (32 °F)	85%
	-15 °C (5 °F)	65%
Self-Discharge 20 °C (68 °F)	Capacity after 1 months storage	98%
	Capacity after 3 months storage	94%
	Capacity after 6 months storage	86%
Short Circuit Current 20 °C (68 °F)	4200	
Terminal	Standard	16mm Insert M6 thread
	Optional	Cu Flag
Charging (Constant Voltage)	Cyclic	2.35 - 2.40 VPC (20-25 °C)
	Float	2.27 - 2.30 VPC (15-25 °C)



## Constant Power Discharge - Watts per Cell @20 °C

End V per Cell	5M	10M	15M	20M	25M	30M	35M	40M	45M	60M	90M	2 hr	3 hr	4 hr
1.85	425	378	330	299	271	251	230	213	197	162	120	93.7	64.9	50.5
1.80	525	429	367	325	293	267	245	227	210	172	122	96	65.9	51.2
1.75	568	464	390	342	307	279	256	235	217	175	123	96	66.3	51.2
1.70	604	488	407	354	315	285	261	239	221	178	126	98	67.4	52.8
1.65	626	511	424	365	322	290	265	244	224	179	127	-	-	-
1.60	652	522	432	371	326	294	268	246	226	181	128	-	-	-

## Constant Amps Discharge - Amps @20 °C

End V per Cell	5M	10M	15M	20M	25M	30M	35M	40M	45M	60M	90M	2 hr	3 hr	4 hr	5 hr	8 hr	10 hr	12 hr	20 hr
1.85	228	202	176	159	144	133	121	112	103	84.5	62.4	48.4	33.2	25.7	21.1	14.3	11.8	10.0	6.60
1.80	286	233	199	175	157	143	130	120	111	90.0	63.6	49.6	34.0	26.3	21.7	14.7	12.2	10.3	6.84
1.75	313	255	213	185	165	150	136	125	115	92.1	64.3	49.9	34.3	26.4	21.8	14.7	12.3	10.4	6.91
1.70	336	270	224	193	171	154	140	128	117	93.8	66.0	51.1	34.9	27.2	22.4	15.2	12.6	10.7	7.08
1.65	350	284	234	200	175	157	143	131	120	95.0	66.8	-	-	-	-	-	-	-	-
1.60	366	291	239	204	178	160	145	132	121	96	67.6	-	-	-	-	-	-	-	-

## Ampere Hour @20 °C

End V per Cell	2 hr	3 hr	4 hr	5 hr	8 hr	10 hr	12 hr	20 hr
1.85	97	100	103	106	114	118	120	132
1.80	99	102	105	108	117	122	124	137
1.75	100	103	105	109	118	123	125	138
1.70	102	105	109	112	122	126	128	142



UL Recognised  
Component  
MH28512

