

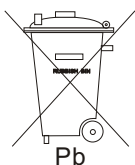
HZY12-160 Valve Regulated Lead Acid battery.
12 year design life for stand by power applications.
12 Volts 160 Ah (C20)

Innovative Features

- Completely maintenance free, sealed construction eliminates the need for watering
- Fully tank formed plates
- Analytical Grade electrolyte
- Spill proof / leak proof
- Valve regulated Max internal pressure 2.5 psi
- Multi-position usage
- ABS Case and cover - VO on request
- Low self discharge
- FAA and IATA approved as non-hazardous
- Built to comply with IEC 896-2, DIN 43534, BS 6290 Pt4, Eurobat.

Specifications

Nominal Voltage	12 Volts
Nominal Capacity	160Ah (C20 @ 20 °C)
Design Life	12 Years
Operating Temperature	-20 °C to 50 °C
Grid alloy	Calcium / Tin lead alloy
Plates	Flat Pasted
Separator	Microporous polymer
Active material	Very high purity lead
Case and cover	ABS (VO on request)
Charge Voltage	Float 2.25 - 2.30 VPC @25 °C Cycling 2.35 @25 °C Max. 2.4 VPC Max ripple 0.05C (A)
Electrolyte	Gelled Sulphuric acid Analytical grade purity
Venting Valve	EPDM Rubber 1.5 to 2 psi (10.5 - 14 KPa) release pressure. Resealing at 1 psi (7 KPa)
Terminal	Epoxy sealed by extended mechanical paths



Haze Battery Company keenly encourages environmental awareness; PLEASE follow guidelines for the recycling /disposal of lead.

Website: www.hazebattery.com
E mail : sales@hazebattery.com

Sealed Lead Acid 12 Volt Bloc GEL Range
PRODUCT SHEET HZY12-160

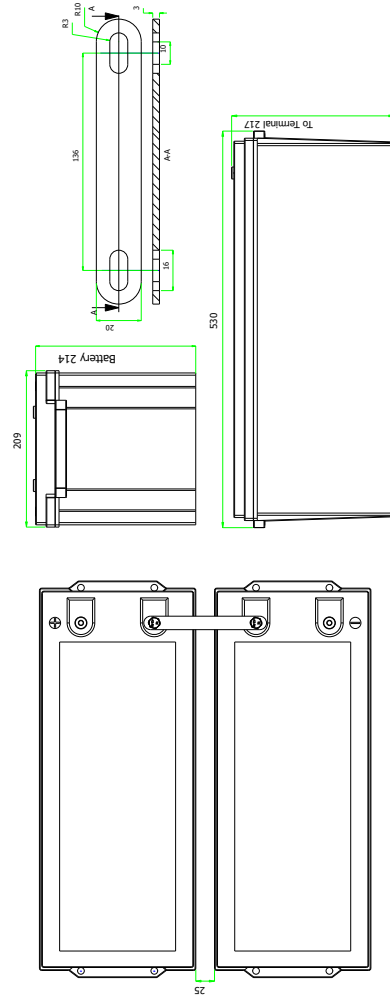
12V
Gel

Specifications

Nominal Voltage		12V	
Nominal Capacity		160 Ah	
Dimensions	Total Height (Inc. terminals)	214 mm	8.43 inches
	Length	530 mm	20.87 inches
	Width	209 mm	8.23 inches
	Weight	57.4 Kg	126.85 lbs

Characteristics

Capacity 20 °C (68 °F) To 1.7 volts	20 hour rate	156.8 Ah
	10 hour rate	142.8 Ah
	5 hour rate	129.3 Ah
	1 hour rate	103.9 Ah
	15 min rate	61.1 Ah
	Internal Resistance	2 mOhms
Capacity correction for Temperature Variations (C ₂₀)	40 °C (104 °F)	102%
	20 °C (68 °F)	100%
	0 °C (32 °F)	85%
	-15 °C (5 °F)	65%
	Self-Discharge 20 °C (68 °F)	Capacity after 1 months storage
	Capacity after 3 months storage	94%
	Capacity after 6 months storage	86%
Short Circuit Current 20 °C (68 °F)	4700	
Terminal	Standard	16mm Insert M6 thread
	Optional	Cu Flag
Charging (Constant Voltage)	Cyclic	2.35 - 2.40 VPC (20-25 °C)
	Float	2.27 - 2.30 VPC (15-25 °C)



Constant Power Discharge - Watts per Cell @20 °C

End V per Cell	5M	10M	15M	20M	25M	30M	35M	40M	45M	60M	90M	2 hr	3 hr	4 hr
1.85	438	389	348	314	293	269	247	229	213	180	133	106	74.0	57.9
1.80	583	481	401	356	319	293	273	253	235	191	137	109	75.3	58.6
1.75	617	509	422	374	334	304	281	261	242	195	139	109	75.7	58.5
1.70	641	532	444	386	338	306	285	264	243	197	140	110	77.1	60.8
1.65	657	538	450	390	340	308	286	265	245	197	142	-	-	-
1.60	684	558	462	396	347	311	291	267	246	199	143	-	-	-

Constant Amps Discharge - Amps @20 °C

End V per Cell	5M	10M	15M	20M	25M	30M	35M	40M	45M	60M	90M	2 hr	3 hr	4 hr	5 hr	8 hr	10 hr	12 hr	20 hr
1.85	235	208	186	167	155	142	130	120	112	94.0	69.1	54.5	37.9	29.5	24.3	16.3	13.4	11.4	7.31
1.80	318	261	217	192	171	156	145	134	124	100	71.5	56.3	38.8	30.0	24.8	16.9	13.9	11.8	7.57
1.75	341	279	230	203	180	163	150	139	128	103	72.8	56.6	39.1	30.1	24.9	17.0	13.9	11.9	7.61
1.70	357	294	244	211	183	166	153	141	130	104	73.6	57.4	39.9	31.4	25.9	17.5	14.3	12.2	7.84
1.65	367	299	248	213	185	167	154	142	131	105	74.6	-	-	-	-	-	-	-	-
1.60	384	311	255	218	189	169	157	144	132	106	75.4	-	-	-	-	-	-	-	-

Ampere Hour @20 °C

End V per Cell	2 hr	3 hr	4 hr	5 hr	8 hr	10 hr	12 hr	20 hr
1.85	109	114	118	121	130	134	137	146
1.80	113	116	120	124	135	139	141	151
1.75	113	117	120	124	136	139	142	152
1.70	115	120	125	129	140	143	147	157



UL Recognised
Component
MH28512

